



ELECTRIC GRAIN MILL

INSTRUCTIONS



THANK YOU FOR CHOOSING THE GRAINFATHER ELECTRIC GRAIN MILL

The Grainfather Electric Grain Mill allows you turn grain and malted barley, into the perfect brewing base. We recommend reading the following safety information before use. Please also find enclosed, instructions for assembling and using the grain mill, the types of grain that can be crushed, as well as advice for cleaning and maintenance.

SAFETY INFORMATION

1. DO NOT operate the device without the top cover, bottom cover and hopper assembled.
2. When operating, keep any long hair tied up and keep other loose items such as jewellery away from the device. Failure to do so may result in serious injury or death.
3. This device is designed to crush dry grain only. DO NOT put other contents into the mill.
4. Keep the device dry. DO NOT crush wet grain. DO NOT operate if hands are wet.
5. Always crush grain into a closed vessel (such as using a bucket covered by a Grainfather Grain Mill Bamboo Mounting Board) to prevent grain dust from entering the motor vents.
6. Always operate on a stationary flat surface such as the Grainfather Grain Mill Bamboo Mounting Board.
7. DO NOT leave the device unattended while running.
8. DO NOT insert fingers into the top cover opening, bottom cover grill or motor vents.
9. DO NOT lean on the hopper.
10. Keep the motor vents clear of any objects as they require uninterrupted airflow to operate.
11. When moving the device, ensure that the power cord is unplugged and hold the device by the handle.
12. Switch off the appliance and disconnect it from the power supply before changing accessories or approaching parts that move when in use.
13. DO NOT operate the appliance for over 6 minutes of continuous use and DO NOT crush over 10 kg of grain continuously.
14. This appliance is intended to be used in household applications.
15. This appliance should not be used by children. Keep the appliance and its cord out of reach of children.
16. This appliance is not intended for use by persons (including children) with reduced physical, sensory or mental capabilities, or lack of experience and knowledge, unless they have been given supervision or instruction concerning use of the appliance by a person responsible for their safety. Children should be supervised to ensure that they do not play with the appliance.
17. Appliances can be used by persons with reduced physical, sensory or mental capabilities or lack of experience and knowledge if they have been given supervision or instruction concerning use of the appliance in a safe way and if they understand the hazards involved. Children shall not play with the appliance.
18. Serious injury may result from misuse.

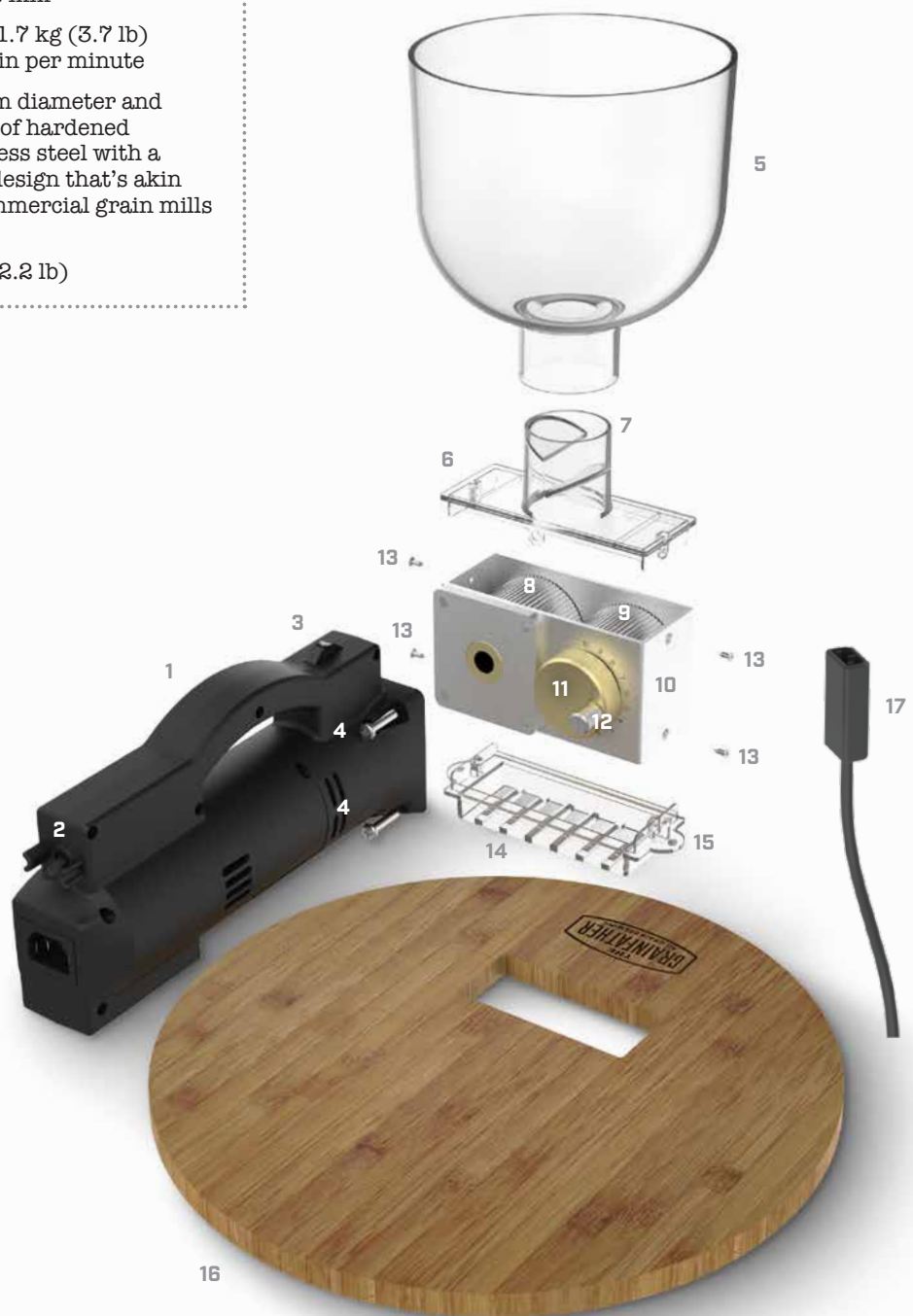
NOTE: Not following the safety information above could result in serious injuries and may void your warranty.

ELECTRIC GRAIN MILL DIAGRAM & PARTS LIST

TECHNICAL SPECIFICATIONS

Voltage:	220 V - 240 V
Frequency:	50 Hz
Power:	400 W
10 adjustable mill gap settings:	0.8 - 2 mm
Crush rate:	up to 1.7 kg (3.7 lb) of grain per minute
Rollers:	58 mm diameter and made of hardened stainless steel with a flute design that's akin to commercial grain mills
Grain hopper capacity:	1 kg (2.2 lb)

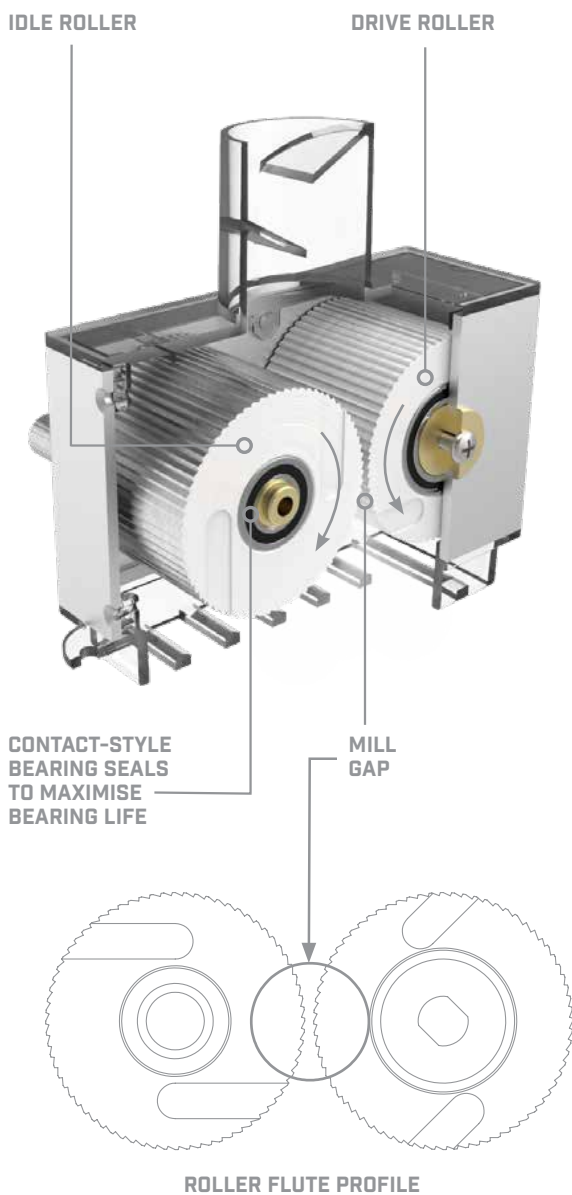
1. Motor assembly
2. Power switch
3. Speed dial
4. 4 x motor mounting screws (2 screws are not visible in the diagram shown)
5. Grain hopper
6. Top cover
7. Top cover finger guards
8. Drive roller
9. Idle roller
10. Roller housing
11. Mill gap dial
12. Spring-loaded pin
13. 4 x roller housing screws
14. Bottom cover
15. Bottom cover tabs (for permanent mounting)
16. Grainfather Grain Mill Bamboo Mounting Board (sold separately)
17. Power cord



HOW IT WORKS

The Grainfather Electric Grain Mill achieves a superior grain crush quality by using its heavy duty, hardened, stainless steel rollers. A combination of large diameter rollers and a flute design akin to commercial grain mills, allows the mill to crack the outer husk of the grain longitudinally, while still maintaining most of the husk intact. Traditional mills in the homebrew industry use small diameter knurled rollers which pinch the grain and can result in the grain being excessively crushed.

SECTIONED VIEW



NOTE: The drive roller is directly connected to the motor shaft; grain enters the mill gap and forces the idle roller into motion.

ASSEMBLY & OPERATION

This product is designed to be used with the Grainfather Grain Mill Bamboo Mounting Board. We recommend mounting the mill onto the board and placing it onto the top of a bucket.



NOTE: If using an alternative board or bench, you will need to cut a rectangular opening that measures 48 mm x 112 mm. The tabs on either side of the bottom cover are for optional permanent mounting (e.g. onto a bench) if desired. M4 screws (not included) are recommended for this.

ASSEMBLY & OPERATION CONT.

1. ATTACH & SET

Attach the grain hopper onto the top cover and set the roller gap to the desired setting by pulling the spring-loaded pin outwards. Rotate the dial until the pin is aligned with your desired setting and then release the pin.



MILL GAP SIZES

Gap Setting	Gap Size (mm) *	Recommended Grain **
1	0.8	Use for other grains and specialty malts that need a smaller gap, and brewing systems that can manage a finer crush, and more malt flour.
2	0.85	
3	0.95	
4	1.1	Dark Malts (>450 EBC/150L): Black Patent, Carafa, Chocolate, Roasted Barley, etc.
5	1.3	Non-Barley Malts: Millet, Rye, Wheat. Base Malts: American 2-Row, Munich, Pale Ale, Pilsen (pilsner), Vienna, etc. Large Size Continental and Heritage Malts: Koln (Kolsch), Golden Promise, Maris Otter, etc. Specialty Malts: Caramel, Crystal, Biscuit, Brown, Golden Naked Oats, etc.
6	1.5	
7	1.7	Use for other specialty malts that need a wider gap, and brewing systems that require a high wort flow (a coarse crush).
8	1.85	
9	1.95	
10	2	

* This is an estimate, each mill may vary slightly.

** These are general guidelines, malt size and specification varies by barley variety and malthouse. If you experience issues, increase the gap size and also, increase the speed setting to 6. Flaked grain and corn products are not recommended and could cause damage to the grain mill.

NOTE: Rolled or flaked adjuncts (e.g. oats, rice, corn) do not need to be crushed before brewing. We do not recommend crushing a mixture of grain that contains a high amount of these adjuncts.

2. ADJUST THE SPEED

Use the speed dial on the top of the device to adjust the motor speed.

NOTE: For most malts, we recommend a motor speed of 4. Crush results may vary with different grains.

3. CONNECT TO POWER

Plug the power cable into the device via the socket inlet on the motor assembly. Plug the other end of the cable into a power supply.

4. ADD GRAIN

Pour the grain into the grain hopper. Do this before turning on the device to avoid grain getting stuck in the mill.

5. TURN ON, TOP UP & TURN OFF

Flick the switch above the power cord to turn on and begin crushing. Top up the hopper as required until you have finished.

NOTE: If you experience issues with the motor getting jammed, turn off the mill and increase the gap size. Then, increase the speed setting to 6 and turn the mill back on to check that it has started to crush normally again. If not, you may need to increase the gap size further.

If crushing large quantities, allow the mill to rest for 3 minutes after every 10 kg (22 lb) of grain crushed. Once finished, turn off the mill.

CAUTION!

Always ensure that there is adequate space in the bucket that you are crushing your grain into. If you crush into a full bucket, the grain can build up inside the roller housing and cause the motor to get stuck. If you suspect that the motor is jammed, immediately turn off the unit and unplug it. Shake the mill over a container to remove all crushed grain that has built up inside the roller housing. Once cleared, reinstall the mill over a bucket with adequate space and continue crushing.

CLEANING & MAINTENANCE

WARNING!

Under no circumstances should you plug the power cord into the device during cleaning and maintenance procedures.. Doing so may result in serious injury or death.

- If a build up of grain dust occurs, brush down the device with a soft brush to remove.
- Do not use water or any liquid cleaning agent.
- To maximise the life of the device, always store the mill in a clean and dry environment. Storing the device in damp or humid conditions for extended periods of time can cause critical components to degrade.

NOTE: If using with the Grainfather Grain Mill Bamboo Mounting Board, this should also be brushed down when a build up of grain dust occurs. The board can be cleaned with warm water but ensure that it is completely dry before its next use.

We also recommend cleaning the rollers every 3 to 6 months as grain dust can build up between the roller teeth. To do this, follow the steps below:

1. Ensure that the device is turned off and the power cord is unplugged.
2. Remove the hopper, top cover and bottom cover by removing the 4 screws on the side of the roller housing.
3. Clean the rollers using a soft brush.
4. Replace the top cover, bottom cover and hopper by reinstalling the screws on the side of the roller housing.
5. If necessary, also clean the motor vents with a soft brush.

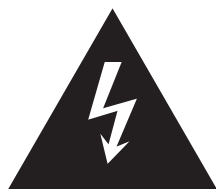
IMPORTANT SAFEGUARDS:

READ AND FOLLOW ALL INSTRUCTIONS

- CAUTION** - Risk of fires and electric shock.
- Replace only with genuine Grainfather cord set.
 - Do not immerse in water.

SAVE ALL WARNINGS AND INSTRUCTIONS FOR FUTURE REFERENCE

FOR HOUSEHOLD AND FOR INDOOR USE ONLY



RESOURCES: Check out our YouTube Channel for helpful videos. For more information, visit our Grainfather Help Centre: help.grainfather.com

GET IN TOUCH:

Online: help.grainfather.com/hc/en-us/requests/new

NZ +64 6 888 3027

AU +61 2 8074 3798

US +1 (562) 354-4603

UK/EU +44 1750 432048



Download the FREE
Grainfather App